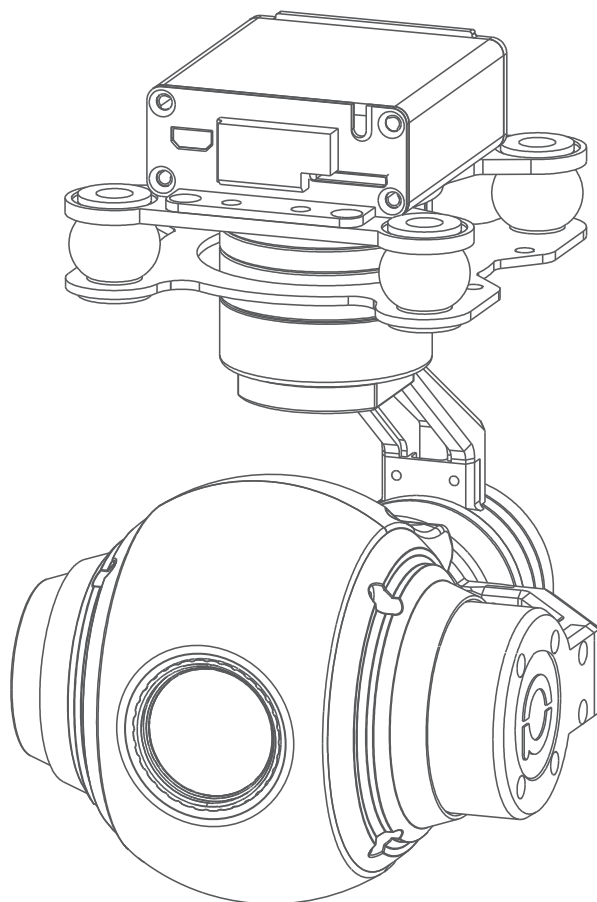




Sky Eye-I

10x 1080P Optical Zoom Camera Gimbal



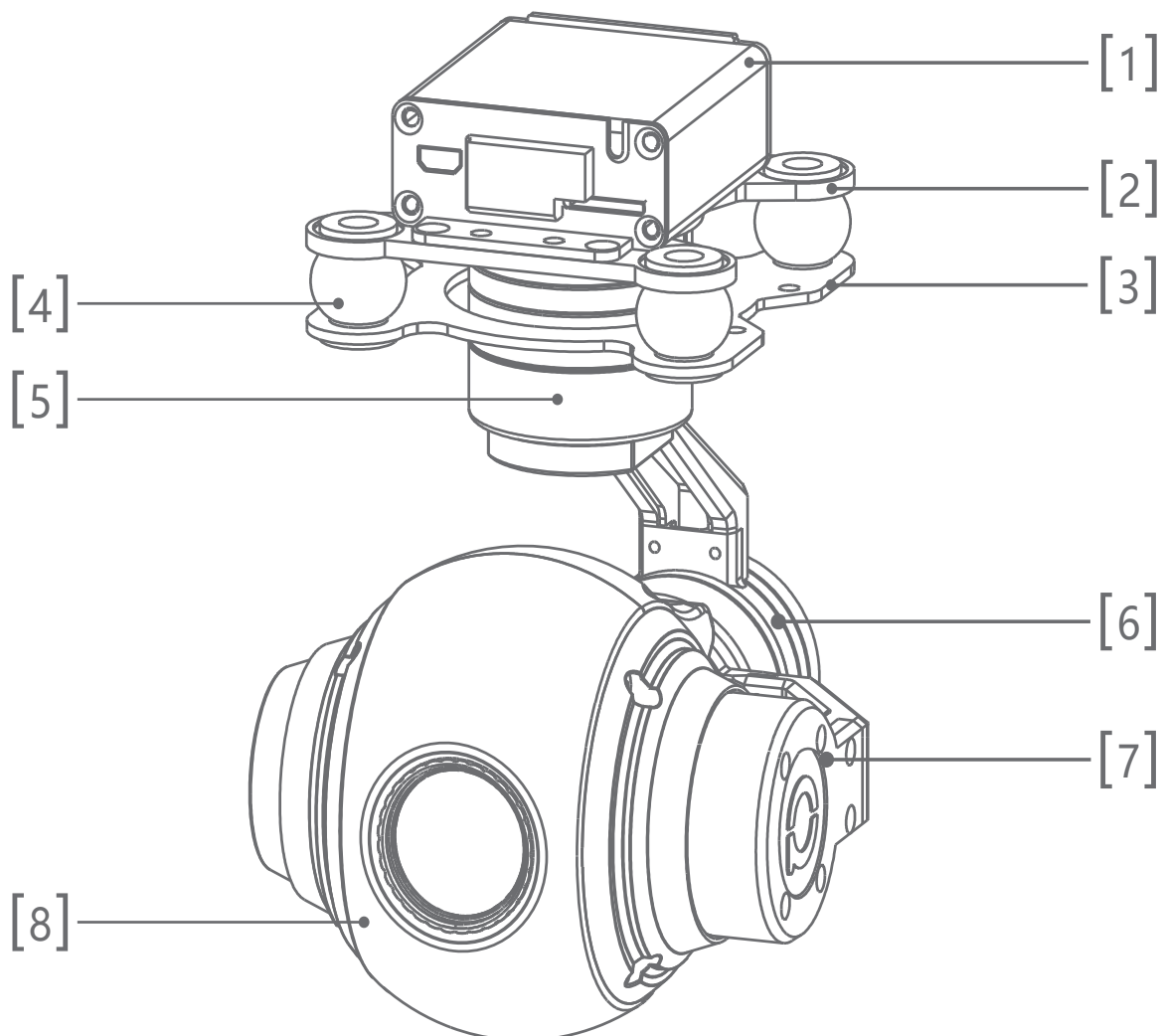
Warning and Disclaimer

Make sure not to adjust the gimbal or change its mechanical structure by yourself. Be sure to mount the camera to gimbal before power on, and then install the gimbal on the aircraft. To avoid gimbal performance degradation or damage caused by imbalanced payload, please do not add other peripherals for the gimbal camera (filter, hood, etc). When in aerial photography, make sure your aircraft flight control system is working at the safe mode.

We strongly recommend that you remove aircraft propellers before doing gimbal configuration. Use extra non-power battery for gimbal. Keep children away from the preset flight region.

Considering that we are not able to control user's specific usage, installation, assembly, modification (including the use of non-specified parts), and improper use. Direct or indirect damage or injury caused by the behavior above, our company will not cover any loss and responsibility.

Gimbal description

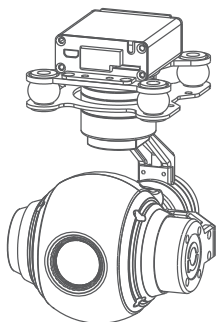


- | | | | |
|-----|-----------------------|-----|---------------------|
| [1] | Control box | [2] | Damping ball |
| [3] | Upper damping board | [4] | Lower damping board |
| [5] | YAW axis motor | [6] | Roll axis motor |
| [7] | Pitch axis motor | [8] | HD zoom camera |
| [9] | Camera mounting based | | |



Please make sure that the motor is not stopped by any object during the rotation, if the gimbal is blocked during rotation, please remove the obstruction immediately.

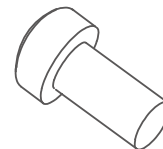
Packing List



Gimbal camera*1

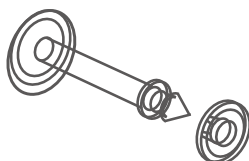


5mm*4

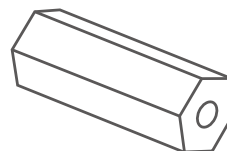


8mm*4

Button head hexagon screw*8

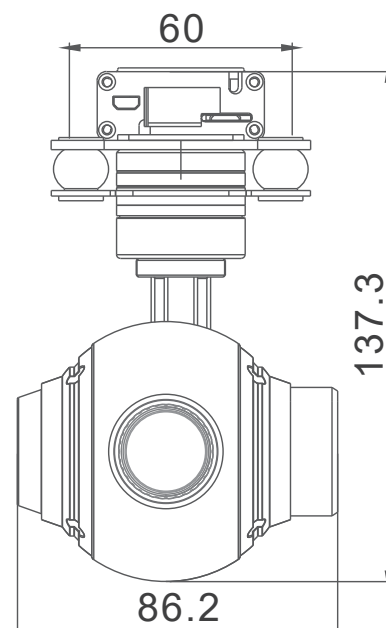
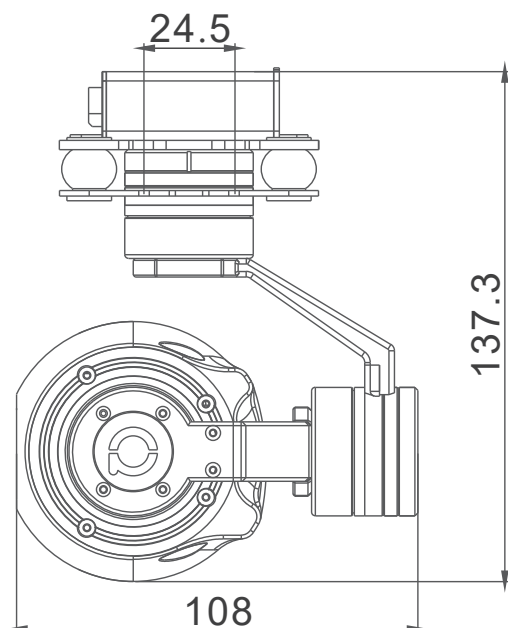


Anti shedding buckle*4



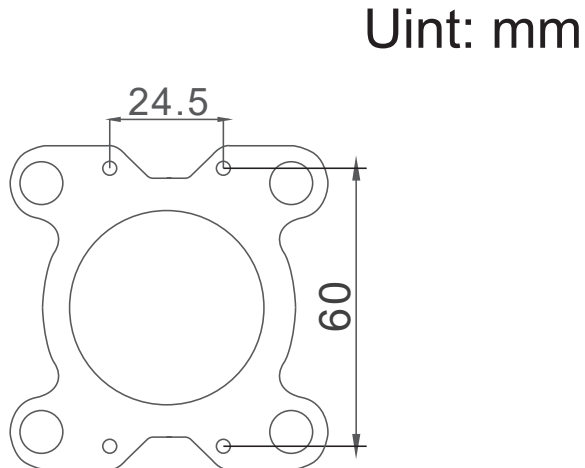
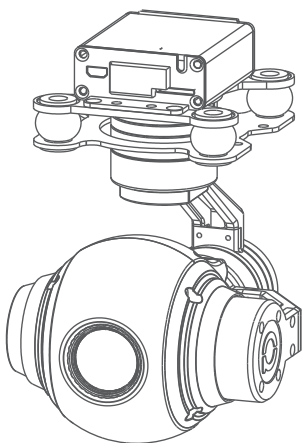
Copper cylinders*4

Gimbal Camera Dimension

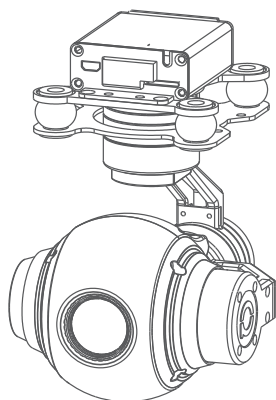


Unit :mm

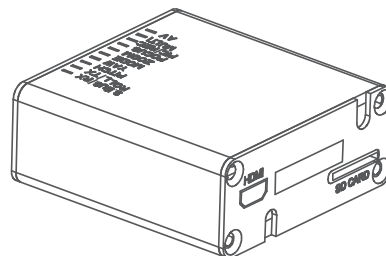
Install the holder camera as shown



Connection of Control Box and Wiring Instruction

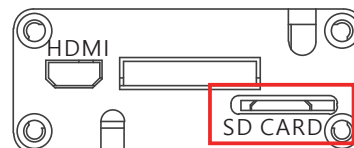


← Control Box position



1. Insert SD card

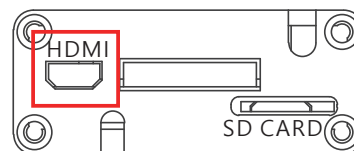
SD card: max 32G , class10
FAT32 or exFAT format



SD card position

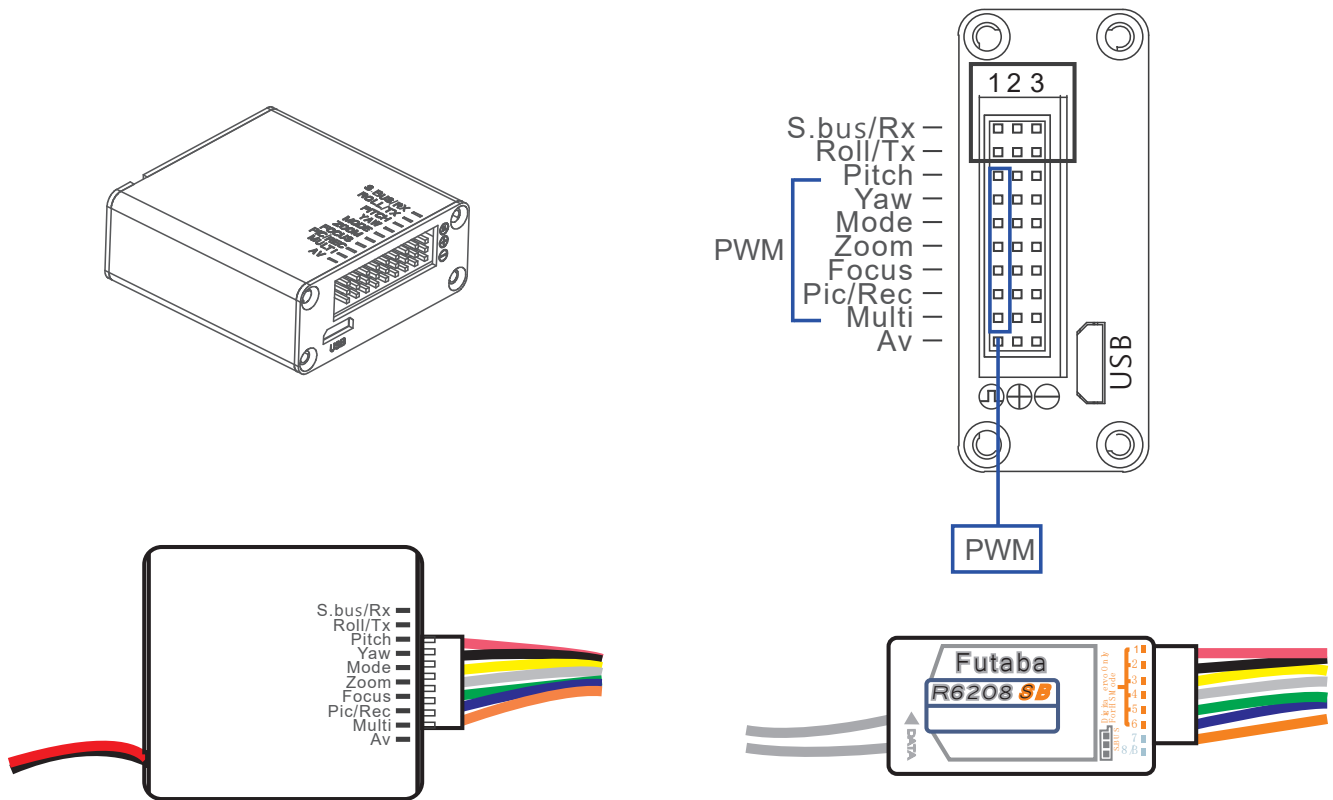
2. Connect HDMI to display

HDMI : micro HDMI OUTPUT
1080P 60fps default

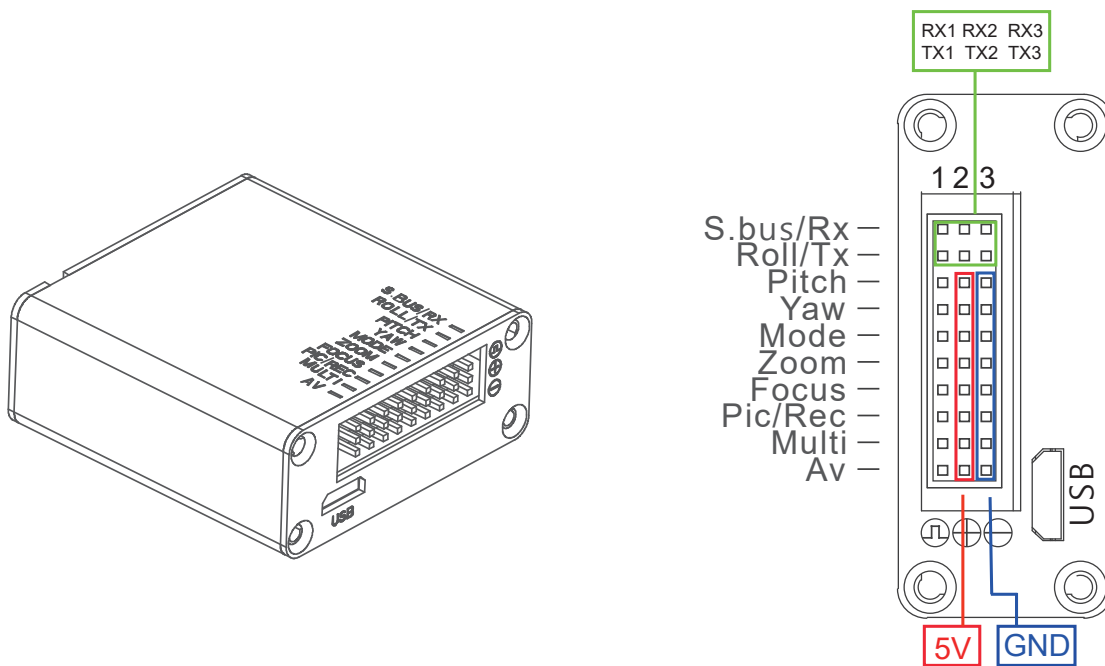


HDMI position

3. Connect the signal line as below



4. Power supply with 12V, red line is positive and black is negative.



Function Description

Gimbal control

1. Yaw axis control:speed mode,connect Rocker channel(or 3 gears channel,push gear to middle position to stop)
2. Pitch axis control:speed mode,connect Rocker channel(or 3 gears channel,push gear to middle position to stop)
3. Mode control:angle mode,connect knob channel(speed mode:connect 3 gears channel or rocker channel)

If connecting knob channel,rotate to one end,the gimbal is at lowest speed when controlling YAW and PITCH axis.

Rotate the knob to any position,gimbal is at higher speed when controlling YAW and PITCH axis.Rotate to knob to another end,gimbal back to center position.

4. Multi:Multi function control

Camera control

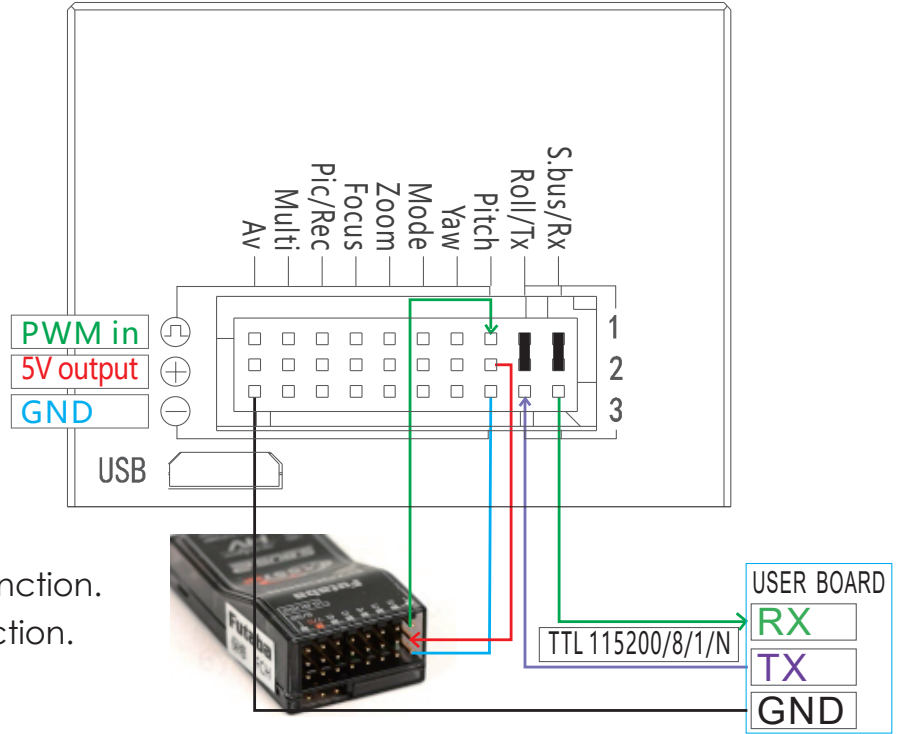
1. Zoom control:connect 3 gears or rocker channel
2. Focus:connect 3 gears or rocker channel for manual focus control.
If do not connect any channel,then camera will auto focus after zooming
3. Pic/REC:taking picture/recording,connect 3 gears channel

Flip the gear from middle position to high position,taking picture/recording mode switch

Flip the gear from middle position to low position:

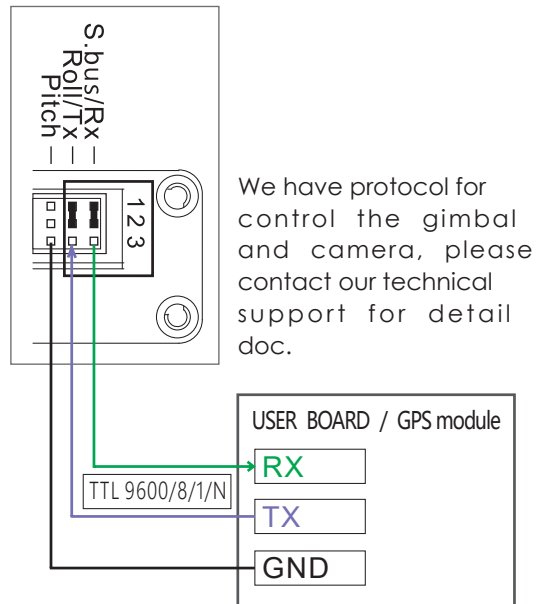
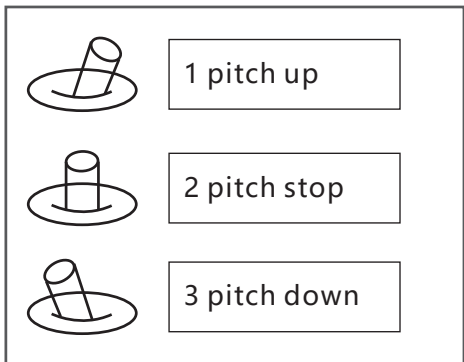
- **A** : If under recording mode:record start,
flip from middle to low again,record stop
- **B** : If under taking picture mode,start taking picture

Signal functions



S.bus/Rx: connect to Rx2 for track function.
 Roll/ Tx: connect to Tx2 for track function.
 Pitch: PWM in, pitch control

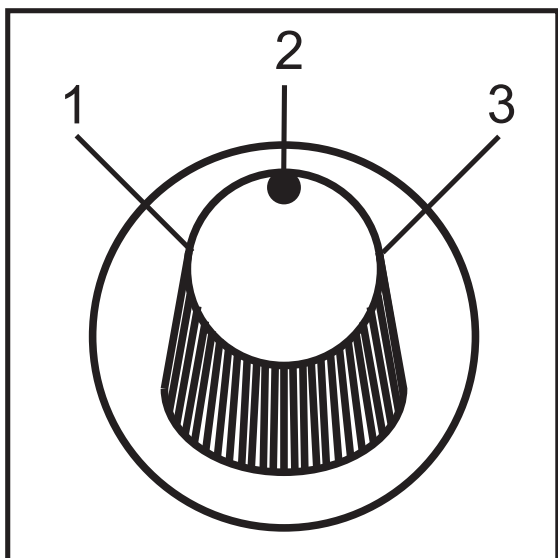
Pitch: PWM in, pitch control



Yaw: PWM in, Yaw contro



Mode: Change the speed / home position



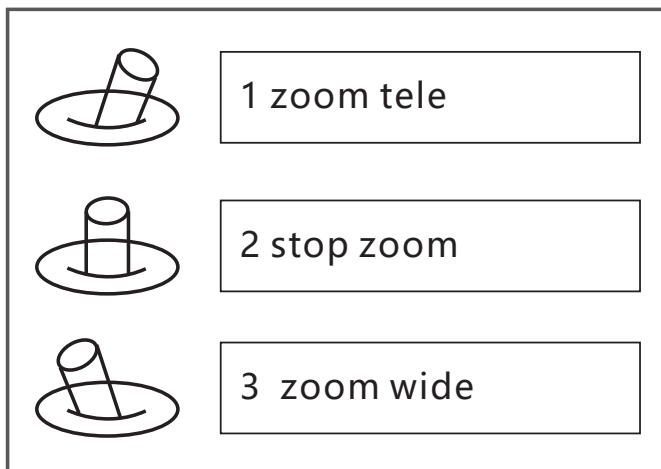
- Position 1: Lowest speed for pitch and yaw.
- Position 2: Middle speed for pitch and yaw.
- Position 3: Highest speed for pitch and yaw.

The speed is continuously quickly from 1 to 3.

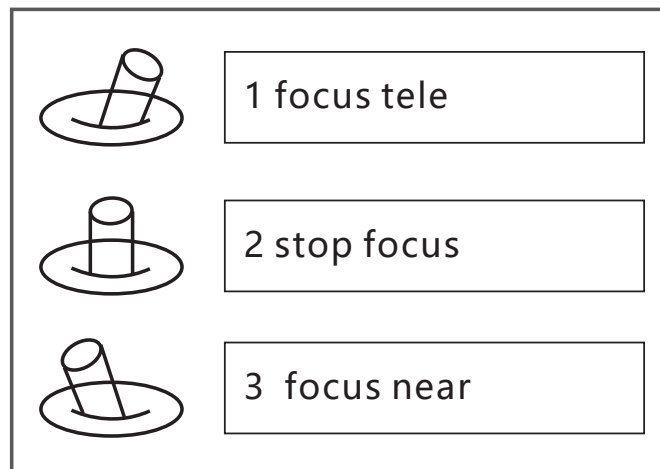
- One click: Home position.
- Two click: Look down.
- Three click: Yaw not followed by frame.
- Four click: Yaw followed by frame.
- Five click: Restore the factory settings.

(Click = from 2 to 3 and back to 2 quickly)

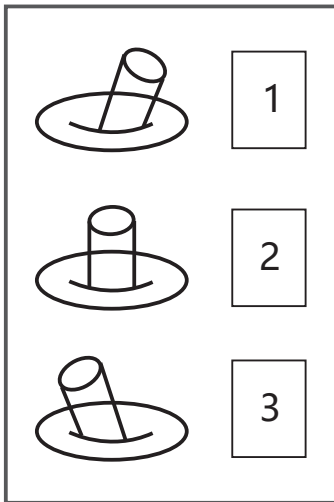
ZOOM: Zoom the camera



Focus: Focus the camera

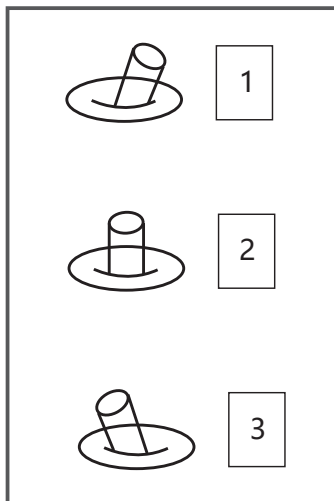


Pic/ Rec picture / Start record, stop record



1. Switch 2 to 1: Start record / stop record.
Start record, the OSD display rec hh:mm:ss ;
2. Stop record, the OSD display STBY.
3. Switch 2 to 3: Take a picture.
OSD display 'REC IMG' a second.

Multi: backup PWM channel for customize



AV: AV output .

10X zoom camera

Sensor	1/3 inch 4MP CMOS SENSOR
Video output	CVBS and 1080P/60 HDMI
Video recorded	1080P/30 MP4
Focal length	10X optical focal zoom, 4.9-49mm
FOV	Horizontal: 53.2°(Wide end) ~ 5.65°(Tele end)
	Vertical: 39.8°(wide end) ~ 4.2°(tele end)
	Focus: 66.6°(wide end) ~ 7.2°(tele end)
Wide Dynamic	Up to 105dB
Auto focus	Less than 1S
Low illumination	0.05lux@F1.6
Aperture	Φ 12.0
Vertical Roll / Horizon Mirror/Static	Support
AWB/AGC/ACC/	Support

Gimbal system

Input voltage	3S-4S
Rotate range	Pitch: ±90° Roll: ±45° Yaw: ±150°
Angle amount of jitter	Pitch and roll: ±0.02° Yaw:±0.03°
Control interface	PWM, S.Bus, and serial command
Working Current	Static current: 240mA(@12V)
	Dynamic current: 320mA(@12V)

Mechanical feature

Total weight (gimbal and camera)	430g
Working temperature	-25° ~ +60°